



SH SERIES

PUMP STATION SHELTERS

Motor Controls SH series of a pump station shelters are available in a variety of materials, construction finish and accessories. Optional Cooling, lighting, and control packages are available..

FEATURES

Made in USA



ISO 9000

- *UL LISTED*
- Powder Coat Finish
- SS Hinge Pins
- Custom designs available.
- Materials—Carbon Steel, Aluminum & SS

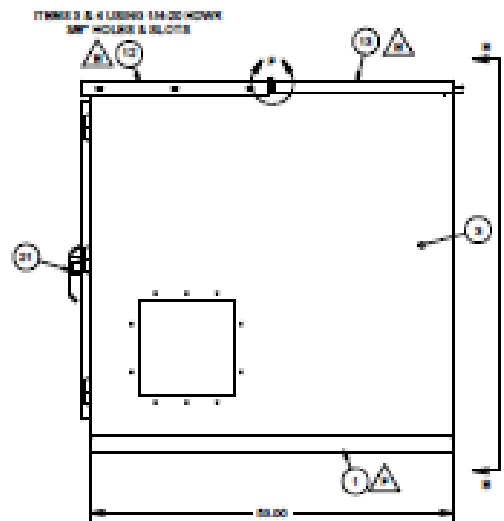
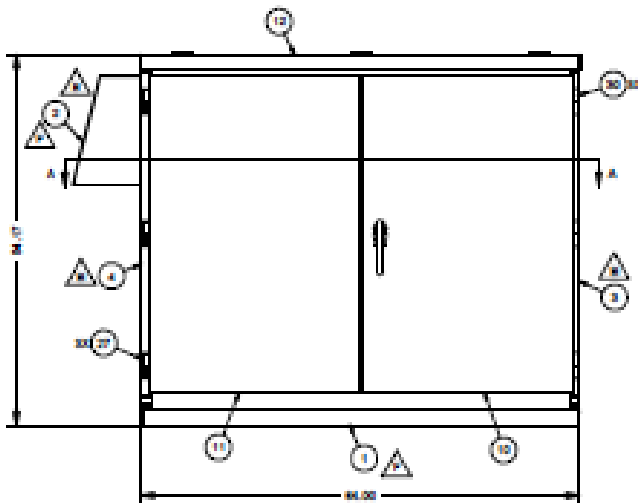
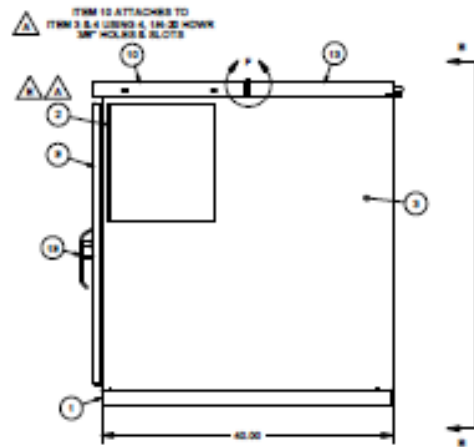
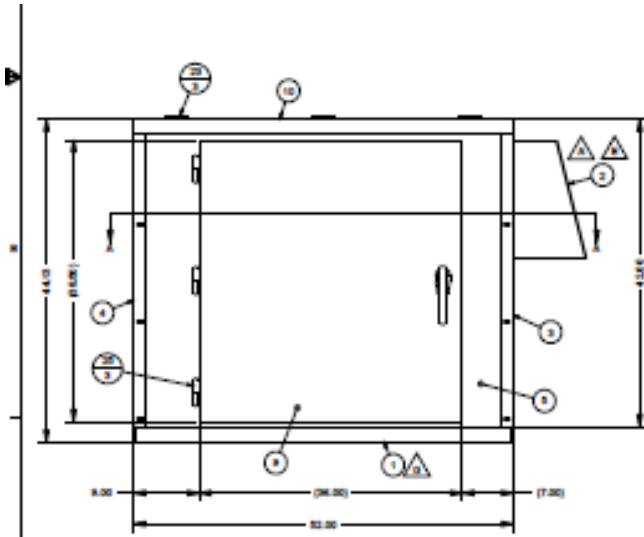
PART NUMBER	LIST PRICE	MATERIAL	FINISH
SH363636CS	\$ 3,325.00	Carbon Steel	Powder Coat
SH445240CS	\$ 4,395.00	Carbon Steel	Powder Coat
SH556453CS	\$ 5,715.00	Carbon Steel	Powder Coat
SH445240AL	\$ 5,715.00	Aluminum	None
SH556453AL	\$ 8,095.00	Aluminum	None
SH724644CS	\$ 10,475.00	Carbon Steel	Powder Coat

1-800-735-1097 | Fax: 972-247-8991 | www.motorcontrols.com



SH SERIES

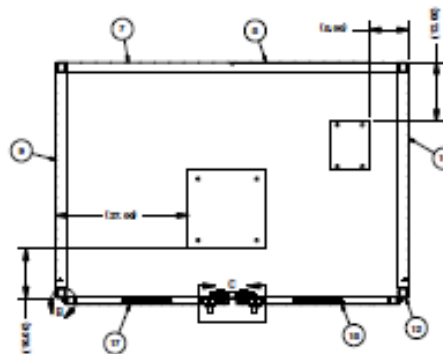
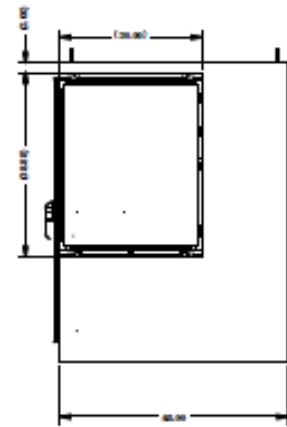
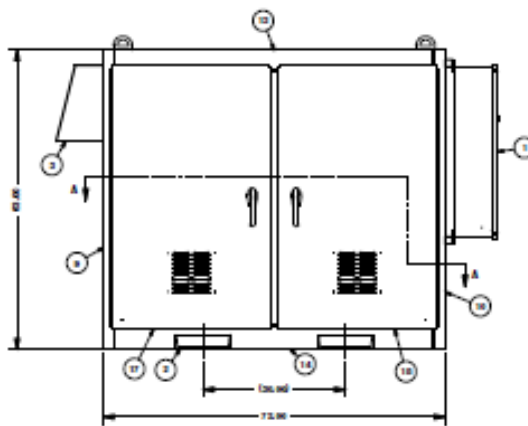
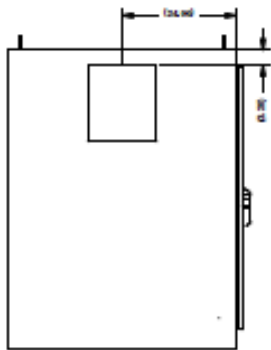
PUMP STATION SHELTERS



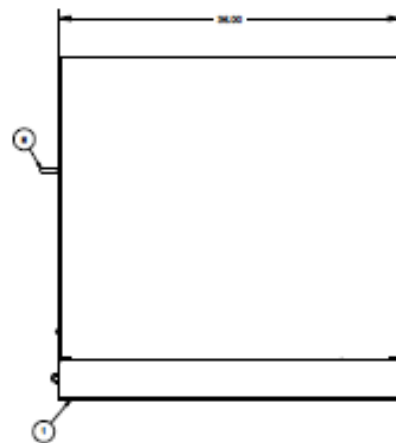
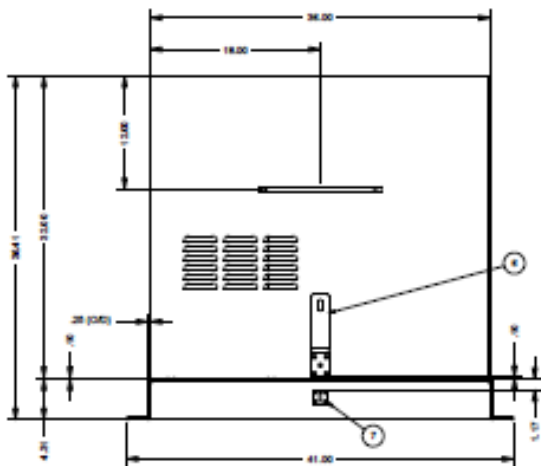


SH SERIES

PUMP STATION SHELTERS



SECTION AA



1-800-735-1097 | Fax: 972-247-8991 | www.motorcontrols.com