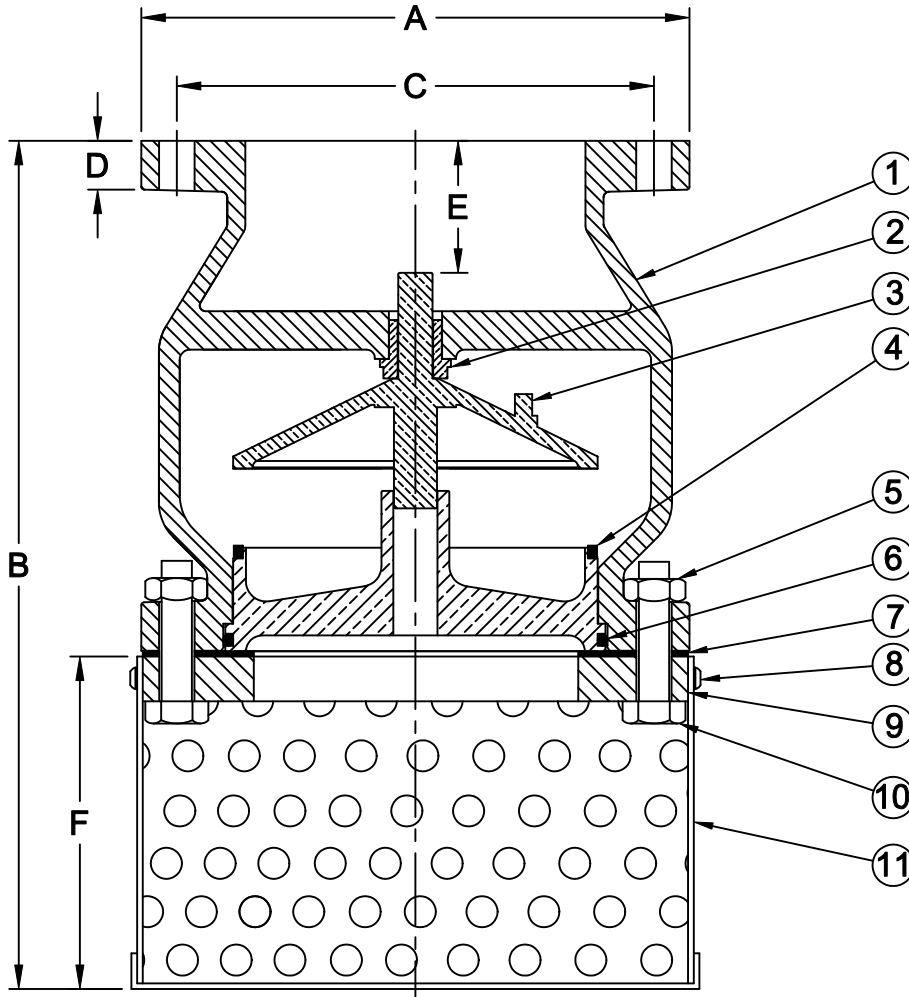


Material



Open Area: 50-60%
 Max Temp 180°F (82°C)
 Max Pressure 180psi (14bar)

Item #	Qty	Description	Material	ASTM	Item #	Qty	Description	Material	ASTM
1	1	Body (epoxy coated)	Cast Iron	Class 30	7	1	Gasket	Vellumoid	——
2	1	Bushing	Bronze	C95400	8	AR	Button Head Socket Screw	Stainless Steel	304
3	1	Poppet	Bronze	C89833	9	1	Flange	Cast Iron	Class 30
4	1	Seat Ring	Bronze	C89833	10	AR	Hex Head Bolt	Zinc Plated Steel	——
5	AR	Hex Nut	Zinc Plated Steel	——	11	1	Strainer Basket	Stainless Steel	304
6	AR	O'Ring	Buna-n	——	AR=Amount Required				

Dimensions (ANSI Class 125# Flange)

Size	Part #	A		B		C		D		E		F		Bolt Size	# of Bolts	Weight	
		inch	mm	inch	mm	inch	mm	inch	mm	inch	mm	inch	mm			lbs	kg
8	200 4774BT	13-1/2	343	20-3/4	527	11-3/4	298	1-1/8	29	3-3/8	86	8	203	3/4	8	160	73
10	250 4775BT	16	406	25-5/8	651	14-1/4	362	1-3/16	30	3-59/64	100	10	254	7/8	12	260	118

Patent # 6,024,121

Flomatic Corporation can accept no responsibility for possible errors in catalogues, brochures and other printed material. Flomatic Corporation reserves the right to alter its products without notices. This also applies to product already agreed. All trademarks in this material are property of the respective companies. All right reserved. ©2011 Flomatic Corporation. The drawings & information on this drawing sheet are the sole & exclusive property of Flomatic Corporation. Any reproduction, distribution, display or use of these drawings or information in whole or in part without written authorization of Flomatic Corporation is strictly prohibited.